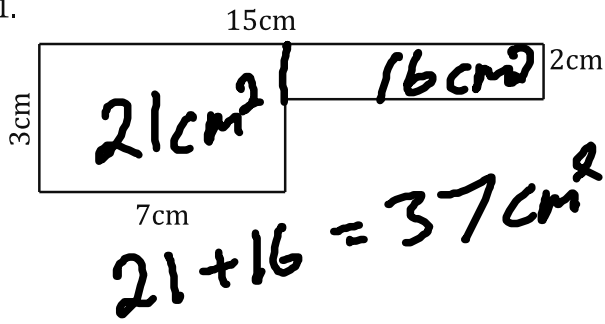
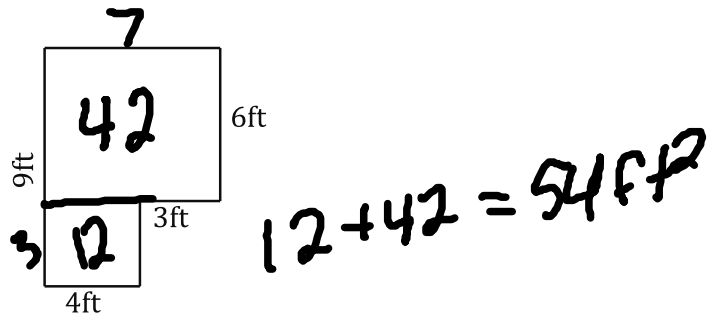


Find the area of each shape...

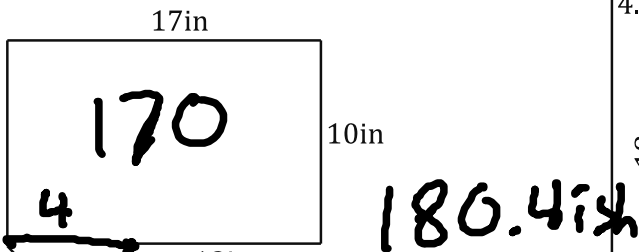
1.



2.



3.

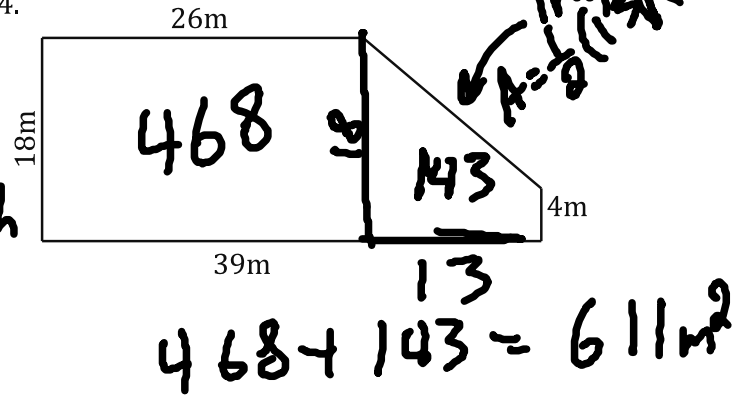


$$4^2 + x^2 = 7^2$$

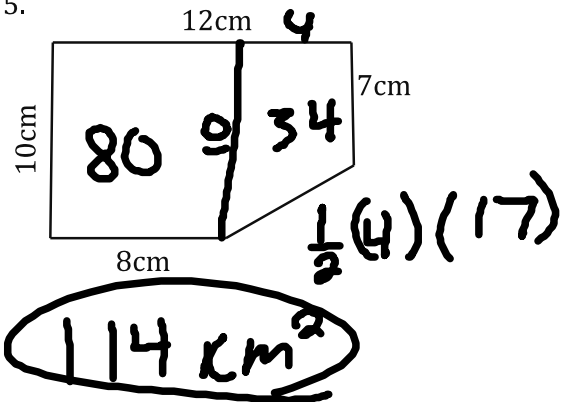
$$16 + x^2 = 49$$

$$x = \sqrt{33} \approx 5.7$$

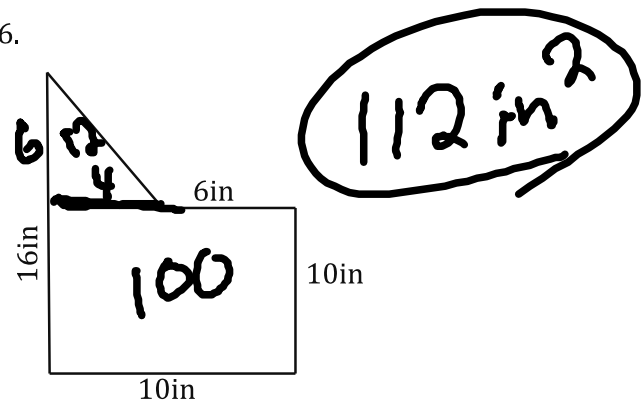
4.



5.



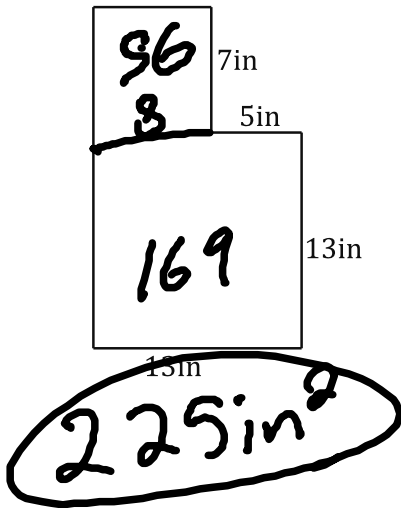
6.



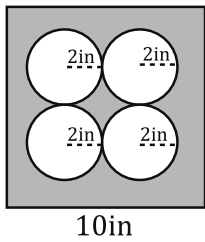
Bubble all the correct answers from above. Don't bubble incorrect answers.

- 54
 11.36
 78
 114
 77
 112
 611
 632
 37
 181.48

7.

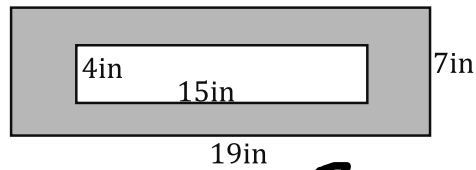


9. Find the shaded area.



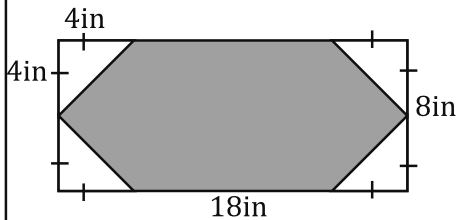
$$\begin{aligned}
 &100 \\
 &- 4(\pi 2^2) \\
 &100 \\
 &- 16\pi \\
 &\hline
 &49.7 \text{ in}^2
 \end{aligned}$$

8. Find the shaded area.



$$\begin{aligned}
 &7 \cdot 19 = 133 \\
 &4 \cdot 15 = 60 \\
 &\hline
 &73 \text{ in}^2
 \end{aligned}$$

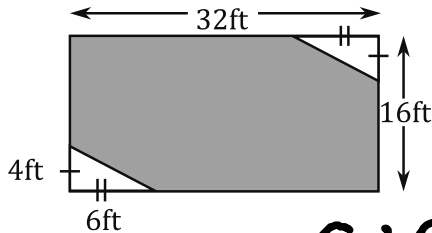
10. Find the shaded area.



$$\begin{aligned}
 &8 \cdot 18 \\
 &144 \text{ in}^2 \\
 &- 32 \text{ in}^2 \\
 &\hline
 &112 \text{ in}^2
 \end{aligned}$$

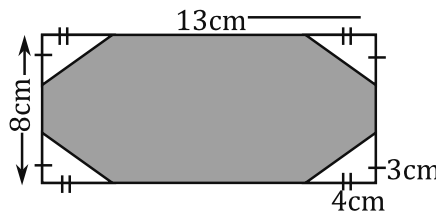
$$8 \times 4 = 32$$

11. Find the shaded area.



$$\begin{aligned}
 &32 \cdot 16 = 512 \text{ ft}^2 \\
 &- 24 \text{ ft}^2 \\
 &\hline
 &488 \text{ ft}^2
 \end{aligned}$$

12. Find the shaded area.



$$\begin{aligned}
 &104 \text{ cm}^2 \\
 &- 24 \text{ cm}^2 \\
 &\hline
 &80 \text{ cm}^2
 \end{aligned}$$

Bubble all the correct answers from above. Don't bubble incorrect answers.

- 436
 80
 59.72
 58.38
 112
 488
 225
 73
 76
 123